

DESCRIPTION: 971 SERIES D-SUB BACKSHELL

BACKSHELL KIT INCLUDES:

- (2) BACKSHELL HALVES
- (2) 4-40 THUMBSCREWS
- (2) HOUSING SCREWS
- (1) COMPRESSION RING - VARIOUS SIZES

**NOTE: 9 POSITION HAS ONLY 1 THUMBSCREW
(OPPOSITE CABLE ENTRY)**

971-XXX-XXX-XX1

SERIES _____

POSITIONS _____

009
015
025
037

MATERIAL _____

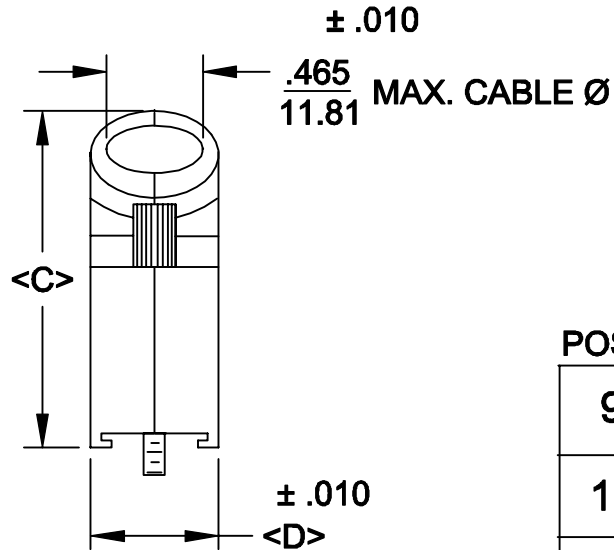
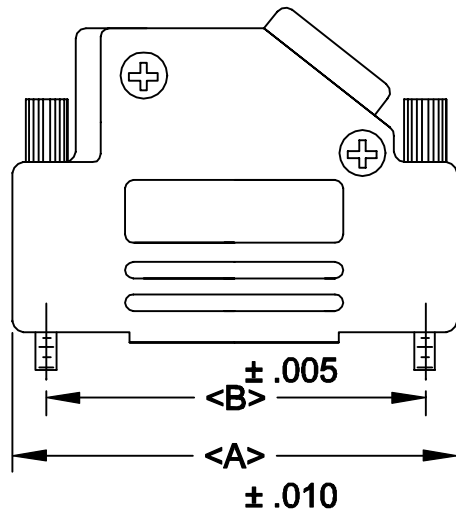
010 = PLASTIC
020 = METALIZED PLASTIC
030 = ZINC
040 = DIE CAST(BLACK CHROMATE)

COLOR: _____

01 = BLACK
12 = NICKEL OVER COPPER

PUT-UPS _____

1 = KIT



POS.	A	B	C	D
9	1.220	.984	1.496	.610
	30.99	24.99	38.00	15.50
15	1.595	1.312	1.618	.610
	40.51	33.32	41.10	15.50
25	2.114	1.852	1.646	.610
	53.70	47.04	41.81	15.50
37	2.748	2.500	1.646	.610
	69.80	63.50	41.81	15.50

**MATERIAL: DIE-CAST ZINC ALLOY
PLATING: NICKEL OVER COPPER OR
BLACK CHROMATE**

**METALIZED PLASTIC AND PLASTIC:
HIGH TEMPERATURE ABS
U.L.94HB (BLACK)**

	THESE DRAWINGS AND SPECIFICATIONS ARE THE PROPERTY OF NorComp AND SHALL NOT BE REPRODUCED, COPIED OR USED AS THE BASIS FOR THE MANUFACTURE OR SALE OF APPARATUS WITHOUT WRITTEN PERMISSION.		DRAWN: PAM JENKINS	DATE: 7-30-98
			CHECKED:	DATE:
NorComp		SCALE	SHEET	OF
		DWG NO. 971-XXX-0X0-XX1		REV 2